

GD25 ■ LCD Swing Arm Wall Mount 14"-26"



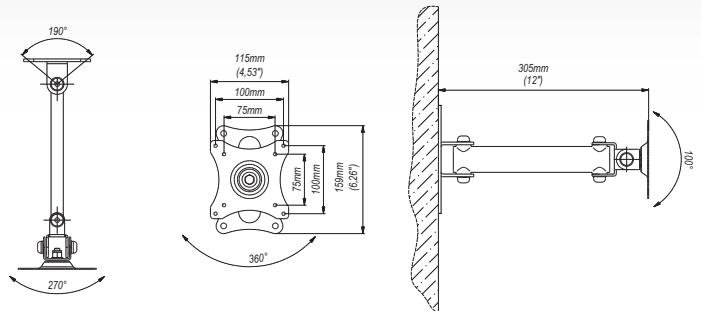
Features

- 1 **ADJUSTABLE POSITION**
2 axes of rotation
- 2 **SOLID BUILD**
3 mm thick powder-coated metal sheet
- 3 **UNIVERSAL**
standard VESA 75x75, 100x100



Technical Data

75x75 mm 100x100 mm	14" - 26"	min. 108 mm max. 305 mm	min. 75x75 mm max. 100x100 mm
10 Kg	270°	100°	
360°			



Accessories

Series GDA



Trade Information

Index	Colour	Package	EAN
GD25c-R	Black	Multi-color	5908252961719
GD25c-B	Black	Black	5908252962556
GD25s-R	Grey	Multi-color	5908252961726
GD25s-B	Grey	Black	5908252961443

Package Dimensions [mm] (H x W x D)	330x170x100
Weight [Kg]	1.5